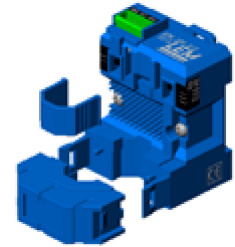


## AC Current transducer APR-B10

Split-core transducer for the electronic measurement AC currents (all waveforms), with galvanic isolation between the primary circuit (high power) and the secondary circuit (electronics). Switch selectable measuring ranges and true RMS 0-5V and 0-10V switch selectable voltage output.



**$I_{PN} = 10 \dots 400 \text{ A}$**



### Electrical data

| Primary Nominal Current<br>$I_{PN}$ (A.t.rms) | Output Voltage (Analog)<br>$V_{OUT}$ (V DC) | Type               | RoHS since<br>date code |
|---|---|--------------------|-------------------------|
| 10,25,50                                      | 0-5 or 0-10                                 | <b>APR 50 B10</b>  | 46184                   |
| 50,75,100                                     | 0-5 or 0-10                                 | <b>APR 100 B10</b> | 46304                   |
| 100,150,200                                   | 0-5 or 0-10                                 | <b>APR 200 B10</b> | 46194                   |
| 200,300,400                                   | 0-5 or 0-10                                 | <b>APR 400 B10</b> | 47150                   |

|             |                                   |                |            |
|-------------|-----------------------------------|----------------|------------|
| $R_L$       | Load resistance                   | $\geq 10$      | k $\Omega$ |
| $V_C$       | Supply voltage                    | $+ 24 \pm 5\%$ | V DC       |
| $I_C$       | Current Consumption               | $< 30$         | mA         |
| $V_{SL}$    | Output voltage limitation (0-10V) | 14             | V          |
| $V_{SL}$    | Output voltage limitation (0-5V)  | 7              | V          |
| $\hat{I}_P$ | Overload capability               | no limitation  |            |

### Accuracy-Dynamic performance data

|                          |   |             |               |
|--------------------------|---|-------------|---------------|
| <b>X</b>                 | Accuracy @ $I_{PN}$ , $T_A = 25^\circ\text{C}$ (excluding offset) | $< \pm 1$   | % of $I_{PN}$ |
| <b>e<sub>L</sub></b>     | Linearity error (0 .. $\pm I_{PN}$ )                              | $< \pm 0.5$ | % of $I_{PN}$ |
| <b>V<sub>OE</sub></b>    | Electrical offset voltage @ $T_A = 25^\circ\text{C}$              | $< \pm 0.5$ | % of $I_{PN}$ |
| <b>TCV<sub>OE</sub></b>  | Temperature coefficient of $V_{OE}$                               | $\pm 1$     | mV/K          |
| <b>TCV<sub>OUT</sub></b> | Temperature coefficient of $V_{OUT}$ (% of reading)               | $\pm 0.1$   | %/K           |
| <b>t<sub>r</sub></b>     | Response time to 90% of $I_{PN}$ step                             | $< 400$     | ms            |
| <b>BW</b>                | Frequency bandwidth ( $\pm 1$ %)                                  | 30 .. 6000  | Hz            |

### General data

|                      |                               |              |                  |
|----------------------|-------------------------------|--------------|------------------|
| <b>T<sub>A</sub></b> | Ambient operating temperature | - 20 .. + 60 | $^\circ\text{C}$ |
| <b>T<sub>S</sub></b> | Ambient storage temperature   | - 20 .. + 85 | $^\circ\text{C}$ |
| <b>m</b>             | Mass                          | 90           | g                |
| <b>IPxx</b>          | Protection degree             | IP20         |                  |

### Features

- VFD and SCR waveforms current measurement
- True RMS output (average)
- Split-core type
- 0-5VDC & 0-10VDC switch selectable voltage output
- DIN rail or Panel mounting
- Switch selectable measuring ranges
- Isolated plastic case recognized according to UL94-V0.

### Advantages

- Large aperture for cable up to  $\varnothing 18\text{mm}$
- High isolation between primary and secondary circuits
- Eliminates insertion loss
- Easy installation

### Applications

- **VFD Controlled Loads:**  
VFD output indicates how the motor and attached load are operating.
- **SCR Controlled Loads:**  
Accurate measurement of phase angle fired or burst fired (time proportioned) SCRs. Current measurement gives faster response than temperature measurement.
- **Switching Power Supplies and Electronic Ballasts:**  
True RMS sensing is the most accurate way to measure power supply or ballast input power.

### Application domain

- Energy and Automation

## Current Transducer APR-B10

| Isolation characteristics |  |  |  |
|---------------------------|--|--|--|
|---------------------------|--|--|--|

|                       |  |     |    |
|-----------------------|--|-----|----|
| <b>V<sub>b</sub></b>  | Rated isolation voltage rms <sup>1)</sup><br>with IEC 61010-1 standards and following conditions :<br>- Reinforced isolation<br>- Over voltage category CAT III<br>- Pollution degree PD2<br>- Heterogeneous field | 300 | V  |
| <b>V<sub>d</sub></b>  | Rms voltage for AC isolation test <sup>2)</sup> , 50 Hz, 1min  | 5   | kV |
| <b>V<sub>e</sub></b>  | Partial discharge extinction voltage rms @ 10 pC   | 1.5 | kV |
| <b>V̂<sub>w</sub></b> | Impulse withstand voltage 1.2/50 μs  | 6.1 | kV |
| <b>dCp</b>            | Creepage distance  | 5.5 | mm |
| <b>dCl</b>            | Clearance distance   | 5.5 | mm |
| <b>CTI</b>            | Comparative tracking index (Group I)   | 600 |    |

**Notes** : <sup>1)</sup> If insulated cable is used for the primary circuit, the voltage category could be improved according to the insulation characteristics given by the cable manufacturer.

e.g.

|                            |               |
|----------------------------|---------------|
| Cable insulation (primary) | Category      |
| HAR 05                     | 600V CAT III  |
| HAR 07                     | 1000V CAT III |

<sup>2)</sup> Between primary (completely filling the aperture) and secondary.

## Current Transducer APR-B10

### Safety and warning notes

In order to guarantee safe operation of the transducer and to be able to make proper use of all features and functions, please read these instructions thoroughly!

Safe operation can only be guaranteed if the transducer is used for the purpose it has been designed for and within the limits of the technical specifications.

Ensure you get up-to-date technical information that can be found in the latest associated datasheet under [www.lem.com](http://www.lem.com).



#### Caution! Risk of danger

Ignoring the warnings can lead to serious injury and/or cause damage!

The electric measuring transducer may only be installed and put into operation by qualified personnel that have received an appropriate training.

The corresponding national regulations shall be observed during installation and operation of the transducer and any electrical conductor.

The transducer shall be used in electric/electronic equipment with respect to applicable standards and safety requirements and in accordance with all the related systems and components manufacturers' operating instructions.



#### Caution! Risk of electrical shock

When operating the transducer, certain parts of the module may carry hazardous live voltage (e.g. primary conductor, power supply).

The user shall ensure to take all measures necessary to protect against electrical shock.

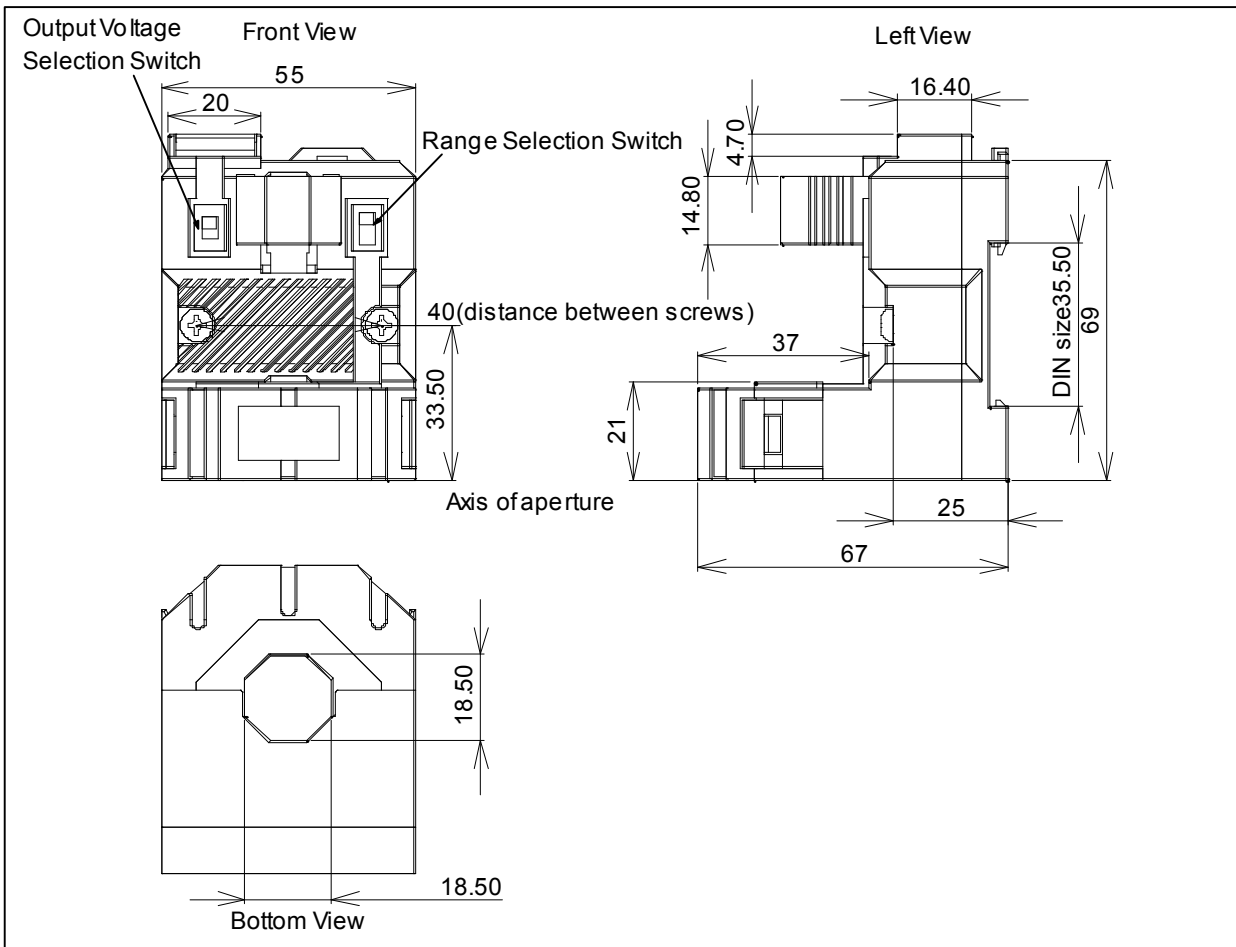
The transducer is a built-in device containing conducting parts that shall not be accessible after installation. A protective enclosure or additional insulation barrier may be necessary.

The transducer shall not be put into operation if the jaw opening is open (split core version) or the installation is not completed.

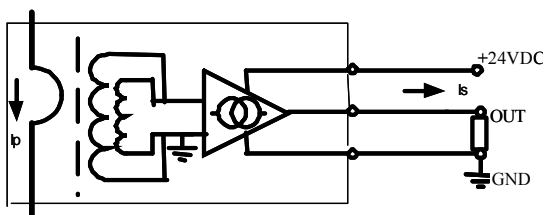
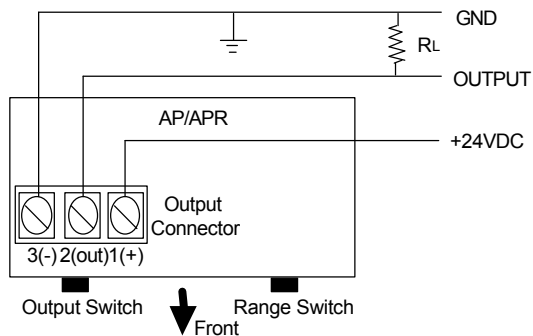
Installation and maintenance shall be done with the main power supply disconnected except if there are no hazardous live parts in or in close proximity to the system and if the applicable national regulations are fully observed.

Safe and trouble-free operation of this transducer can only be guaranteed if transport, storage and installation are carried out correctly and operation and maintenance are carried out with care.

### Dimensions AP(R)-B10 (unit : mm, 1mm = 0.0394 inch)



#### 0-5, 10V Selectable



#### Connections

- Wires up to  $\varnothing$  2 mm
- Female connector provided (spring terminal blocks)
- User-friendly spring-cage connection for no-tool direct conductor connection

#### Mechanical characteristics

- General tolerance  $\pm 1$  mm
- Primary aperture  $\varnothing$  18.5 mm
- Panel mounting 2 holes  $\varnothing$  4.0 mm
- Distance between holes 40.0 mm

For panel mounting, replace M4 screws by new one (not supplied) with appropriate length to panel's thickness.